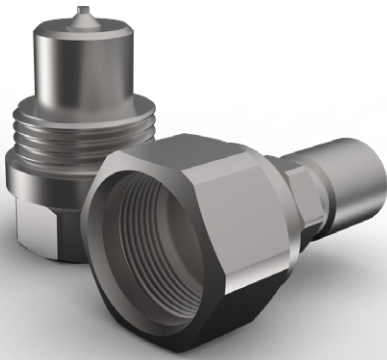
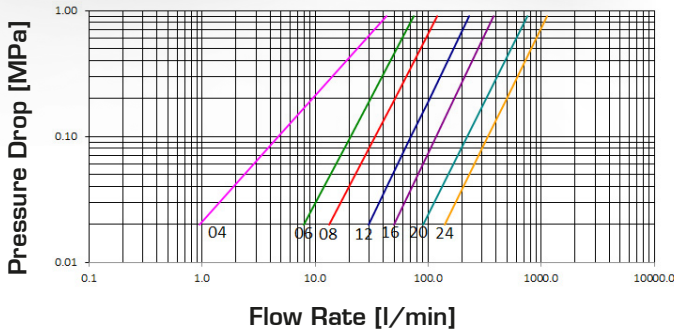


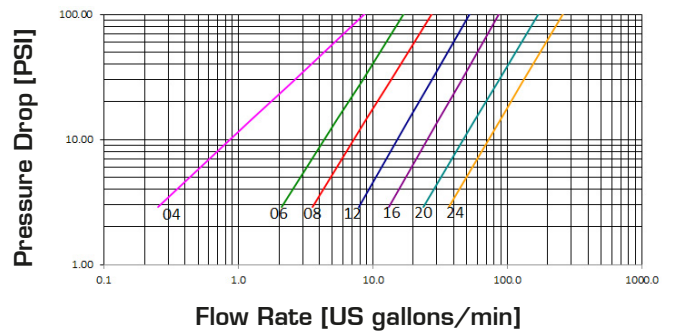
SCREW TYPE HEAVY DUTY



Pressure Drop



Pressure Drop



TECHNICAL DATA

SIZE			WORKING PRESSURE (Dynamic)		RATED FLOW at 0.2 MPa of pressure drop		OIL SPILLAGE Connection/ Disconnection		MINIMUM BURST PRESSURE						CONNECTION/ DISCONNECTION UNDER PRESSURE
DN	inch	Dash	MPa	PSI	l/min	US GPM	cc.	cubic inch	Male		Female		M & F		
									MPa	PSI	MPa	PSI	MPa	PSI	
6	1/4	04	70	10150	10	2.6	0.4	0.024	290	42050	350	50750	300	43500	Allowed up to 30 MPa
10	3/8	06	60	8700	31	8.2	1.5	0.092	250	36250	330	47850	320	46400	Allowed up to 30 MPa
12.5	1/2	08	50	7250	51	13.5	2	0.122	200	29000	260	37700	310	44950	Allowed up to 30 MPa
20	3/4	12	50	7250	102	26.9	4	0.244	200	29000	250	36250	310	44950	Allowed up to 30 MPa
25	1	16	50	7250	170	44.9	7.5	0.458	200	29000	230	33350	270	39150	Allowed up to 30 MPa
31	1 1/4	20	40	5800	325	85.9	15	0.916	160	23200	170	24650	230	33350	Allowed up to 15 MPa
38	1 1/2	24	32	4640	494	130.5	23	1.404	130	18850	140	20300	150	21750	Allowed up to 15 MPa

The rated flow represents the normal operating condition. The maximum recommended flow rate is equal to 1.5 times the rated flow

PRODUCT DESCRIPTION

- Screw-on connection/disconnection system
- Sleeve with hexagon area internal components reinforced, made in steel
- Hardened valve bodies
- Three-part poppet valve with a moulded shaped seal
- Mechanical backstop to prevent partial enclosures of valves due to peaks and reverse flow
- Interchangeable with other products and widely used on the market
- Accessories (plugs and caps) and spare part kits available
- Wide range of termination ends

MATERIAL

Couplings in steel with some stressed area hardened.
Carbonitrided valve, springs in C98 steel, seals in NBR and back-up ring in PTFE

WORKING TEMPERATURE

-22°F up to +230°F (-30°C up to +110°C)

SAFETY FACTOR

4:1 for dynamic pressures

IMPULSE PRESSURES

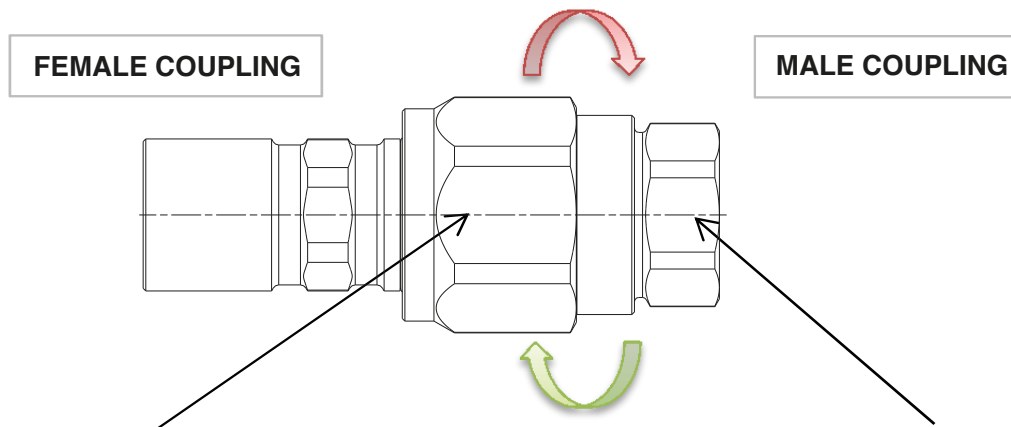
200,000 cycles (connected and disconnected conditions) at 120% of the rated one (freq. 1Hz)

TEST SPECIFICATIONS

ISO 18869

ASSEMBLY INSTRUCTIONS

RECOMMENDED TIGHTENING TORQUES



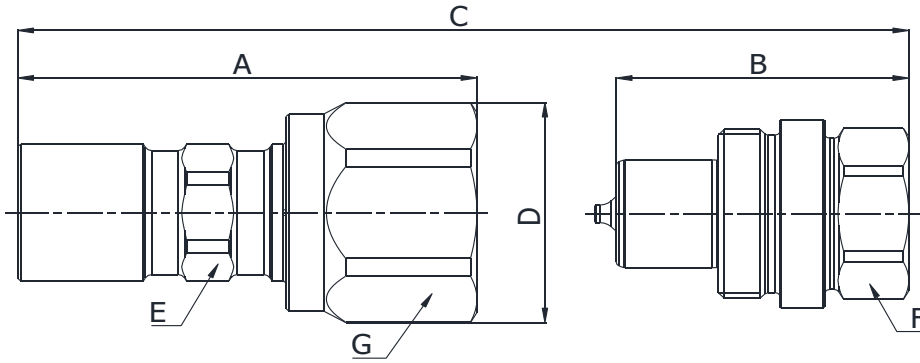
Turn the sleeve on the female applying the tightening torque through the hexagon

Hold the hexagon on the male body with a wrench

SIZE			TIGHTENING TORQUE
DN	Inch	Dash	Nm
6	1/4"	-04	50
10	3/8"	-06	70
12.5	1/2"	-08	100
19	3/4"	-12	150
25	1"	-16	250
31	1-1/4"	-20	400
38	1-1/2"	-24	500

**Q05411041A
Q05311041A**

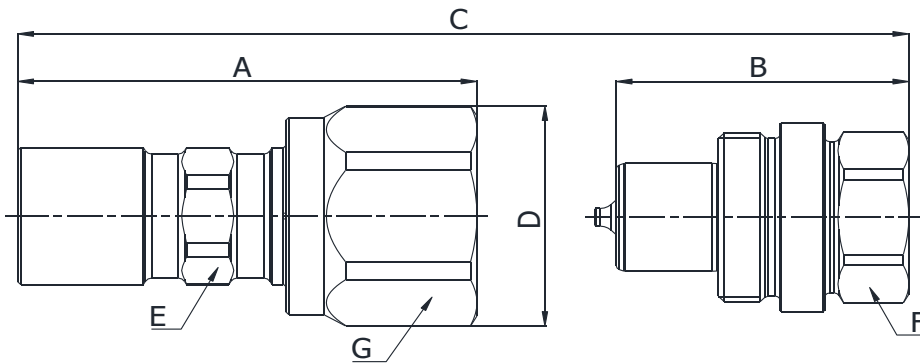
BSP TERMINATION ENDS
TO DIN 3852 X TYPE



SIZE			PART NUMBER		THREAD	DIMENSIONS mm						
DN	Inch	Dash	Female coupling	Male coupling		A	B	C	D	E	F	G
6.3	1/4"	-04	Q05411041A-04-04	Q05311041A-04-04	1/4"	63	42.2	A+B-20,8	ø35	19	22	32
10	3/8"	-06	Q05411041A-06-06	Q05311041A-06-06	3/8"	72.5	46.2	A+B-25,9	ø38,5	22	27	35
12.5	1/2"	-08	Q05411041A-08-08	Q05311041A-08-08	1/2"	82.1	54.4	A+B-27,3	ø45	27	32	41
20	3/4"	-12	Q05411041A-12-12	Q05311041A-12-12	3/4"	93.7	61.4	A+B-31,9	ø55	35	41	50
25	1"	-16	Q05411041A-16-16	Q05311041A-16-16	1"	105.8	68.3	A+B-37	ø66	41	50	60
31.5	1.1/4"	-20	Q05411041A-20-20	Q05311041A-20-20	1.1/4"	131.9	82	A+B-53,9	ø88	55	70	80
38	1.1/2"	-24	Q05411041A-24-24	Q05311041A-24-24	1.1/2"	158.9	102	A+B-70,4	ø99	60	80	90

**Q05411341A
Q05311341A**

NPTF TERMINATION END
TO ANSI B 1.20.3



SIZE			PART NUMBER		THREAD	DIMENSIONS mm						
DN	Inch	Dash	Female coupling	Male coupling		A	B	C	D	E	F	G
6.3	1/4"	-04	Q05411341A-04-04	Q05311341A-04-04	1/4" NPTF	63	42.2	A+B-20,8	ø35	19	22	32
10	3/8"	-06	Q05411341A-06-06	Q05311341A-06-06	3/8" NPTF	72.5	46.2	A+B-25,9	ø38,5	22	27	35
12.5	1/2"	-08	Q05411341A-08-08	Q05311341A-08-08	1/2" NPTF	82.1	54.4	A+B-27,3	ø45	27	32	41
20	3/4"	-12	Q05411341A-12-12	Q05311341A-12-12	3/4" NPTF	93.7	61.4	A+B-31,9	ø55	35	41	50
25	1"	-16	Q05411341A-16-16	Q05311341A-16-16	1" NPTF	105.8	68.3	A+B-37	ø66	41	50	60
31.5	1.1/4"	-20	Q05411341A-20-20	Q05311341A-20-20	1.1/4" NPTF	131.9	82	A+B-53,9	ø88	55	70	80
38	1.1/2"	-24	Q05411341A-24-24	Q05311341A-24-24	1.1/2" NPTF	158.9	102	A+B-70,4	ø99	60	80	90

443 Q.SAFE